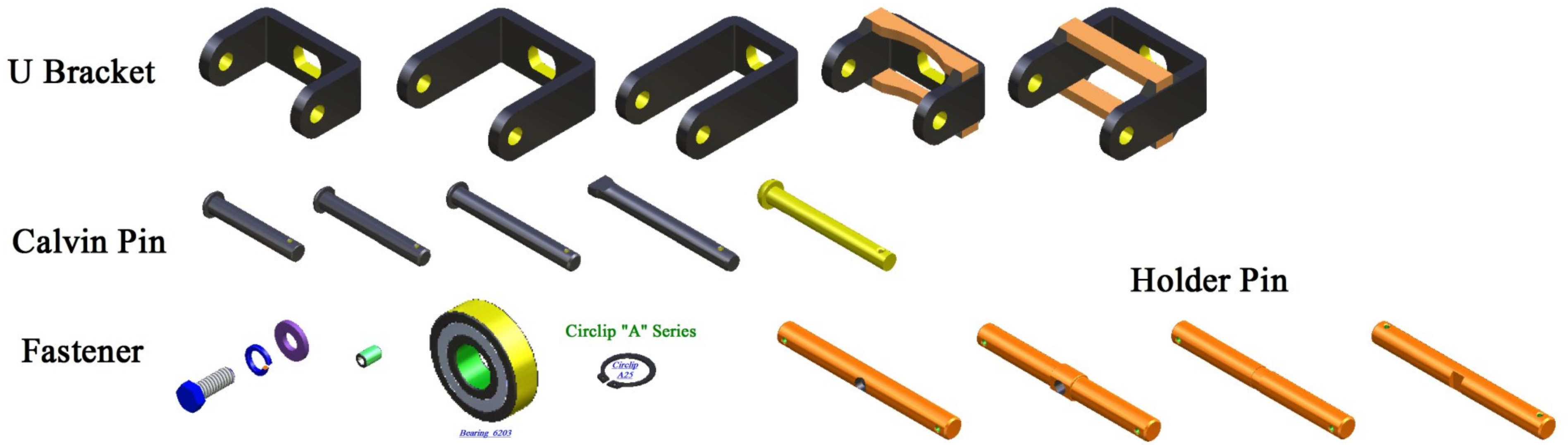
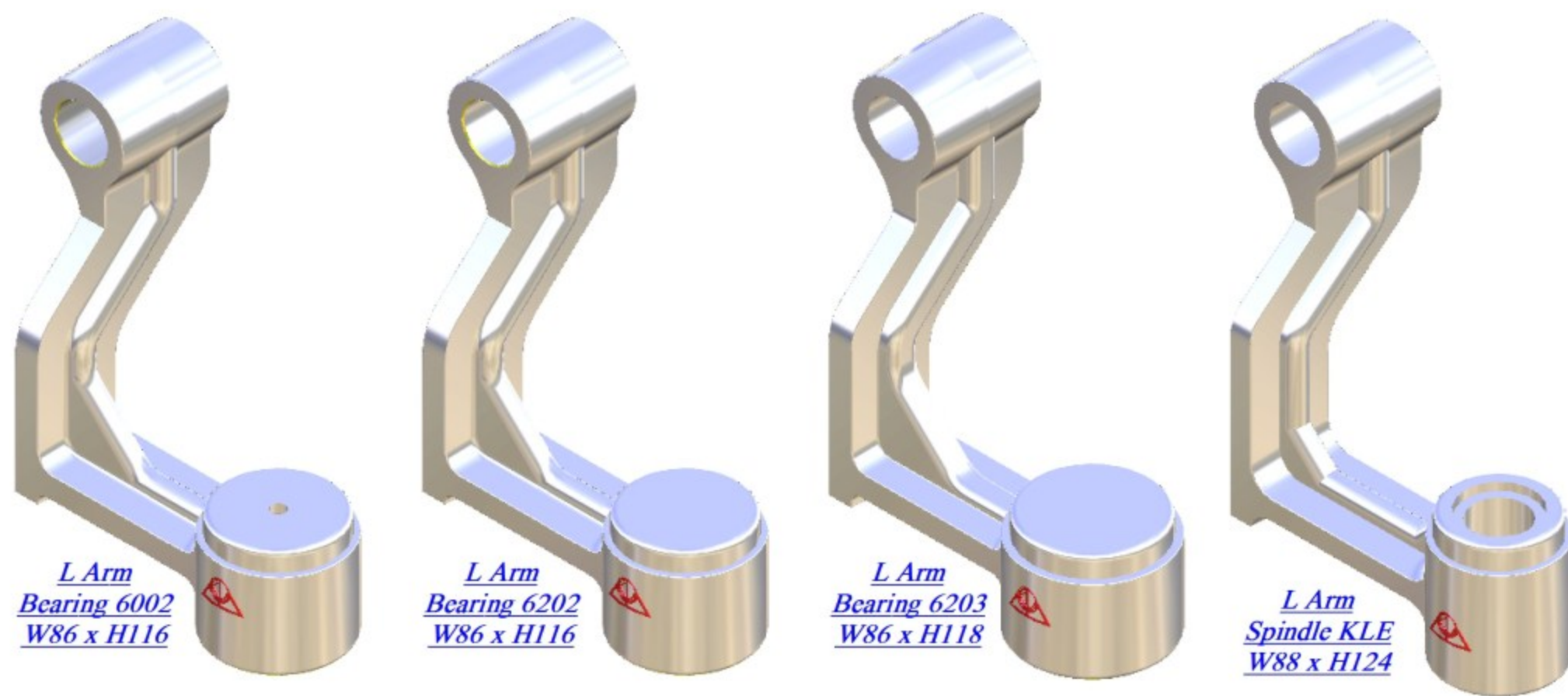


Components Chain



Components Holder

Double Former Bearing Housing



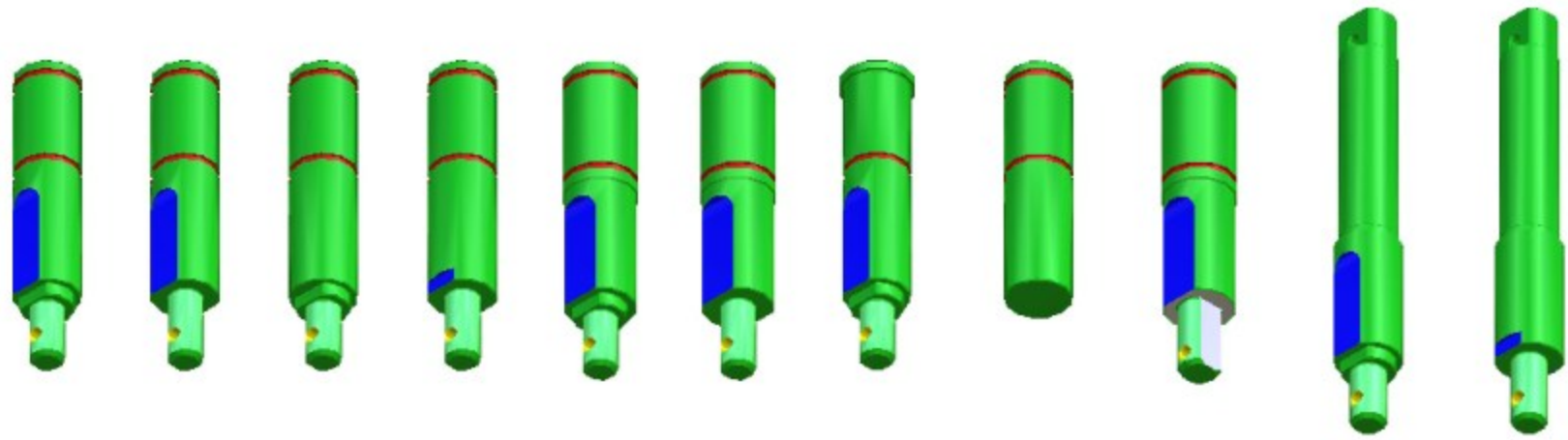
Single Former Bearing Housing



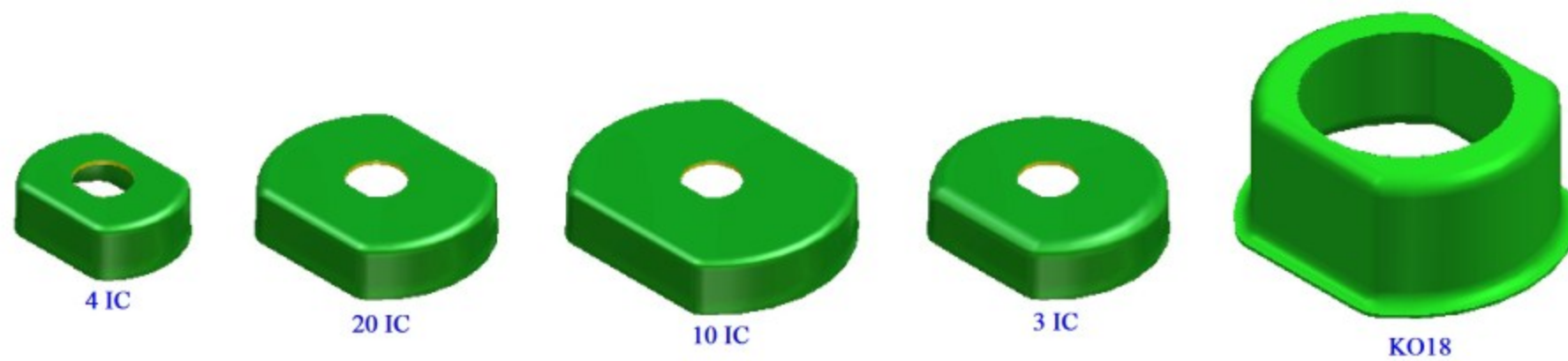
Spring Cap



Pin Shaft



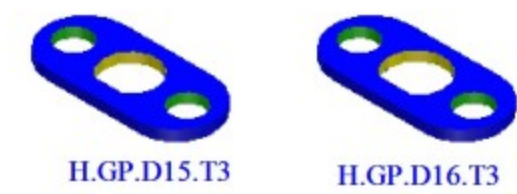
Indexing Cap



Spring



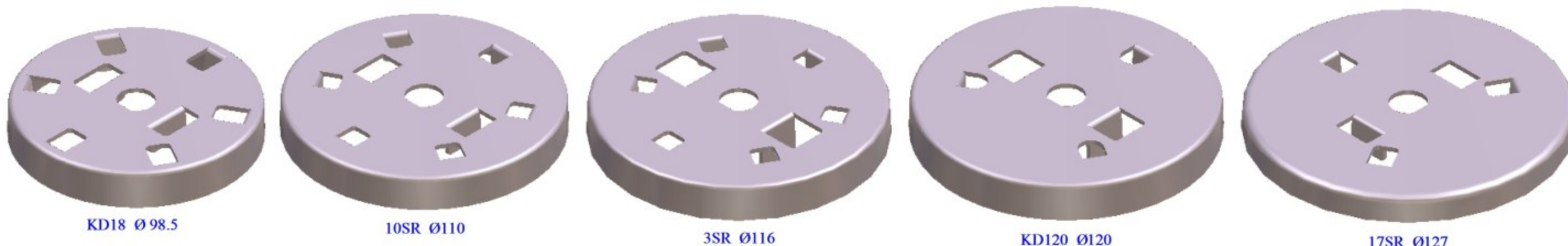
Guide Plate



Guide Cap



Roller Disk



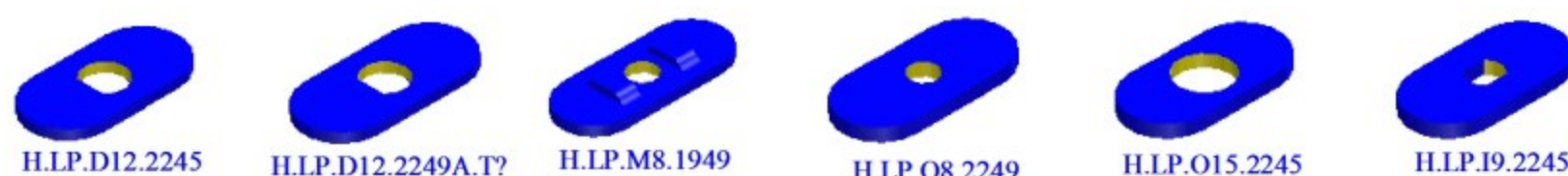
Oiless Bush



EPDM Rubber Gasket



Lock Plate



Fastener Lower



Fastener Upper

